

FEATURES AND SPECIFICATIONS

Features and Benefits

- Industry compatible footprints
- Flush mount
- Split snap-fit retention pegs
- High reliability, square contacts

Reference Information

Product Specification: PS-95009-E
 Packaging: Tray
 UL File No.: E107635
 Mates With: FCC 68 plugs
 Designed In: Millimeters

Electrical

Voltage: 125V
 Current: 1.5A
 Contact Resistance: 20mΩ max.
 Dielectric Withstanding Voltage: 1000V
 Insulation Resistance: 500 MΩ min.

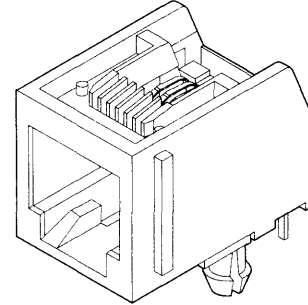
Physical

Housing: Black polyester, UL 94V-0
 Contact: Phosphor Bronze
 Plating: Post plate 1.27 to 1.52μm (50 to 60μ") Gold in contact area, 1.90μm (75μ") min. (90/10) Tin/Lead in tail area both over Nickel overall
 Operating Temperature: -40 to +80°C

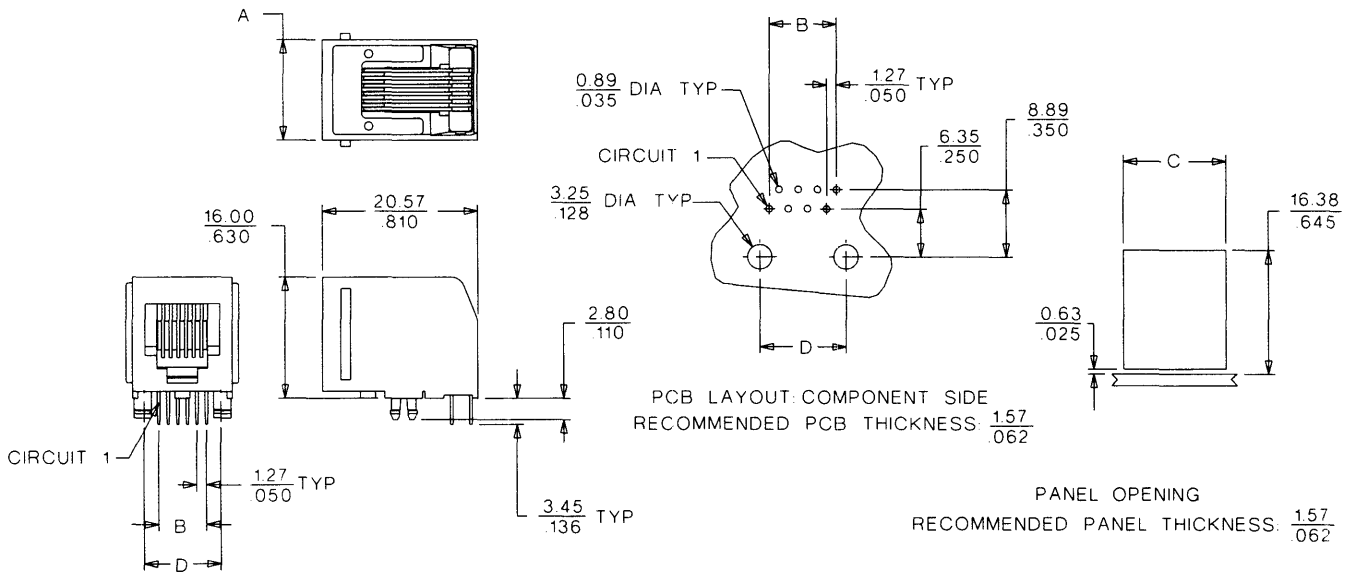
molex® **Modular Jack**

95009

**Right Angle, Standard Profile
 Flush Mount**



CATALOG DRAWING (FOR REFERENCE ONLY)



ORDERING INFORMATION AND DIMENSIONS

Circuits	Loaded Contacts	Order No.	Mounting Rib	Dimension			
				A	B	C	D
4	4	• 95009-2441	Yes	11.18 (.440)	3.81 (.150)	11.56 (.455)	7.62 (.390)
		95009-2447	No				
6	4	• 95009-2641	Yes	13.21 (.520)	3.81 (.150)	13.59 (.535)	10.16 (.400)
		• 95009-2647	No				
6	6	95009-2661	Yes	13.21 (.520)	6.35 (.250)	13.59 (.535)	10.16 (.400)
		95009-2667	No				
8	8	95009-2881	Yes	15.24 (.600)	8.89 (.350)	15.62 (.615)	11.43 (.450)
		95009-2887	No				

• US Standard Product, available through Molex franchised distributors